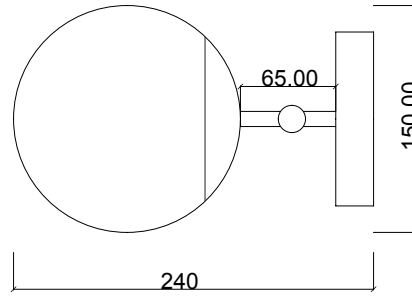
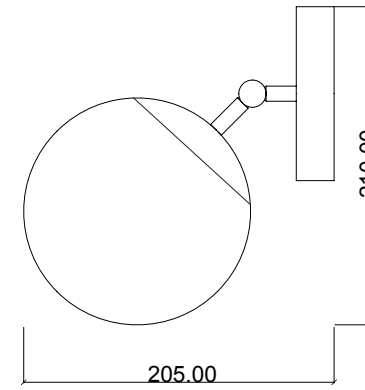


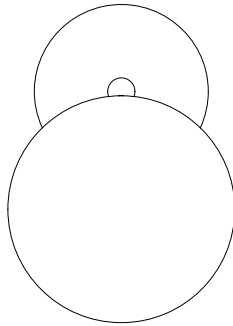
Top



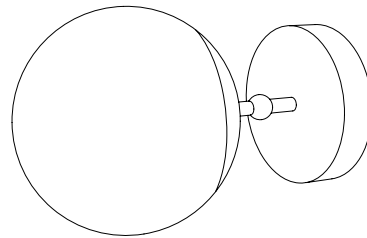
Right



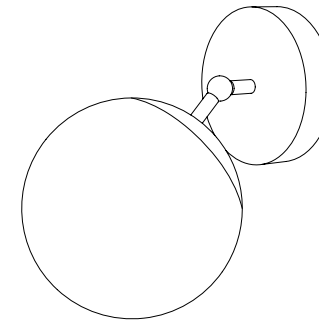
Right



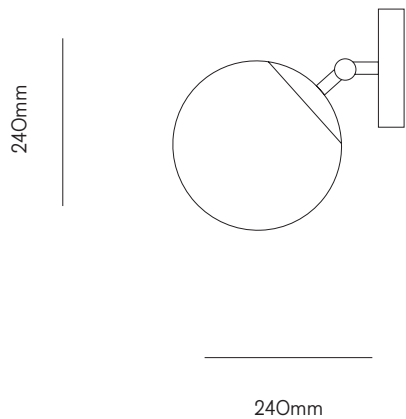
Front



Perspective



Perspective



LINE WALL MOUNTED LIGHT

A petite wall mounted light available in contrasting finishes. Glass globe available in: White, Blush, Midnight and Camel. Brass fitting available in; Natural, Blackened Brass and Brushed Chrome.

All Douglas and Bec products are hand made by local artisans and have the qualities of small scale production.

DESIGNERS
Douglas Snelling & Rebecca Dowie

PRODUCT TYPE
Wall Sconce

MATERIALS
Brass / Glass

DIMENSIONS
H 240mm x W 110mm x D 240mm
Ø 150mm Glass Globe

FITTING / WIRING
Earth ES Fitting

LAMP SPECIFICATIONS
E27 LED / Candle / Clear / 3-4W / 330-350 Lumens
/ Dimmable / Warranty: 2 years

INSTALLATION AND WIRING

- The Chandelier must be installed by a qualified electrician exclusively using the components provided
- Standard entry 3 core 240v
- The ceiling rose cap conceals the wiring and is to be fixed to the ceiling with screws provided
- Compatible with leading edge dimmers
- All components are compliant with New Zealand and Australian safety standards

PRODUCT CARE
Glass

- Use a soft cloth or feather duster to remove dust

Brass

- Natural brass will develop a patina over time
- Use Brasso with a soft cloth to restore it's shine
- No other cleaning products recommended

PRECAUTIONS
Keep out of direct heat and sunlight

WARRANTY AND TERMS
Refer to website, shop.douglasandbec.com