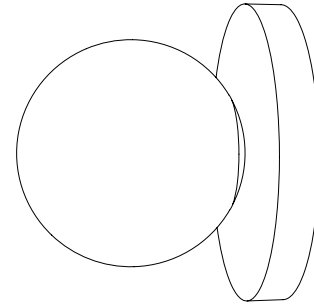
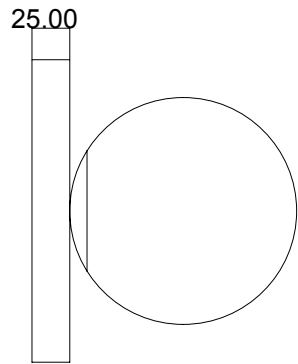


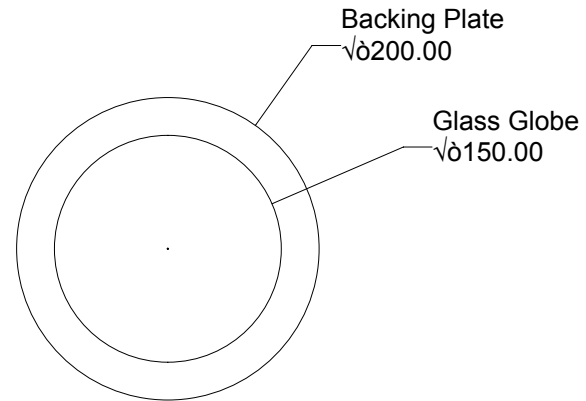
Top



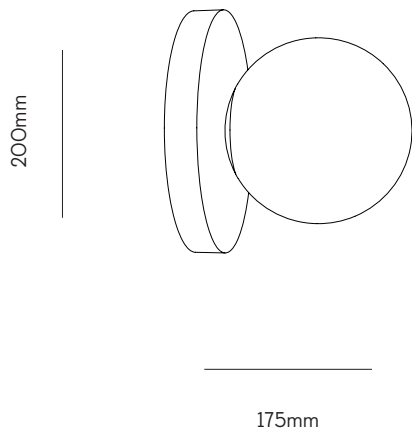
Perspective



Front



Right



LINE WALL MOUNTED LIGHT 2.0

A wall mounted light available in contrasting finishes. Glass globe available in; White, Blush, Midnight and Camel. Brass fitting available in; Natural, Blackened Brass and Brushed Chrome.

All Douglas and Bec products are hand made by local artisans and have the qualities of small scale production.

DESIGNERS

Douglas Snelling & Rebecca Dowie

PRODUCT TYPE

Wall Sconce

MATERIALS

Brass / Glass

DIMENSIONS

W 200mm x D 175mm x H 200mm

Ø 150mm Glass Globe

Ø 200 mm Backing Plate

FITTING / WIRING

Earth ES Fitting

INSTALLATION AND WIRING

- The Chandelier must be installed by a qualified electrician exclusively using the components provided
 - Standard entry 3 core 240v
 - The ceiling rose cap conceals the wiring and is to be fixed to the ceiling with screws provided
 - Compatible with leading edge dimmers
 - All components are compliant with New Zealand and Australian safety standards
-

LAMP SPECIFICATIONS

E27 LED / Candle / Clear / 3-4W / 330-350 Lumens / Dimmable / Warranty: 2 years

PRODUCT CARE

Glass

- Use a soft cloth or feather duster to remove dust
-

Brass

- Natural brass will develop a patina over time
 - Use Brasso with a soft cloth to restore it's shine
 - No other cleaning products recommended
-

PRECAUTIONS

Keep out of direct heat and sunlight

WARRANTY AND TERMS

Refer to website, shop.douglasandbec.com