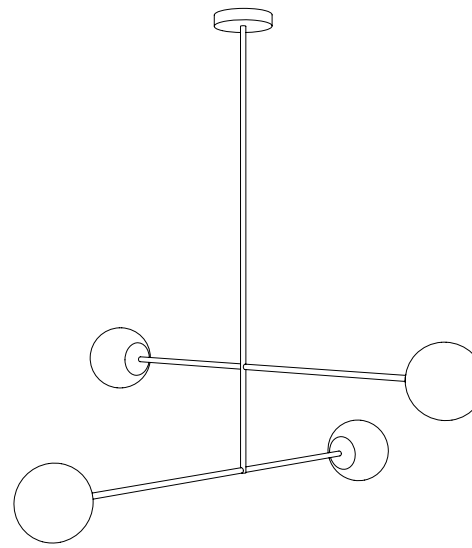
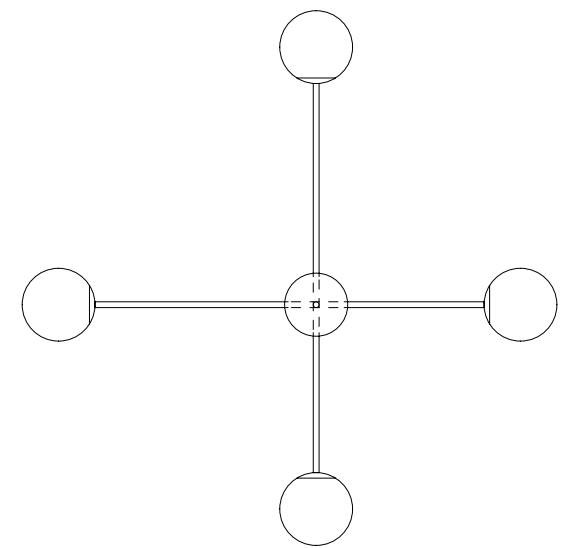


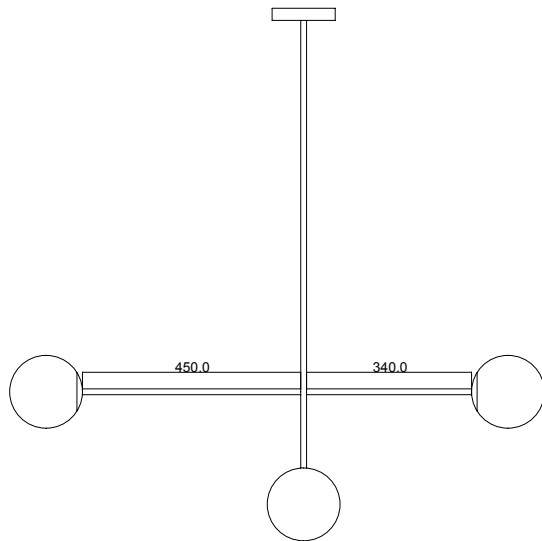
Top



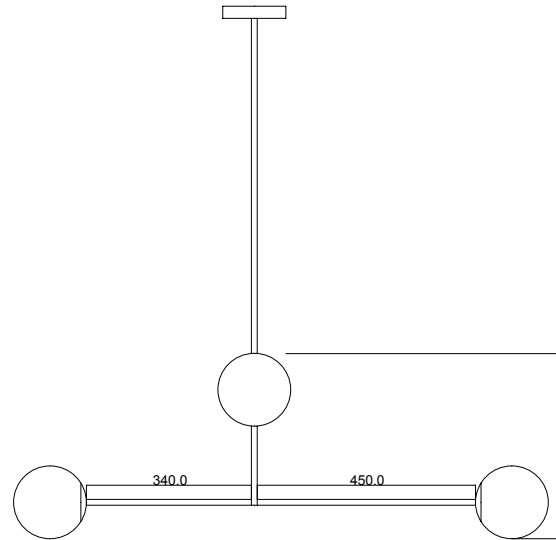
Perspective



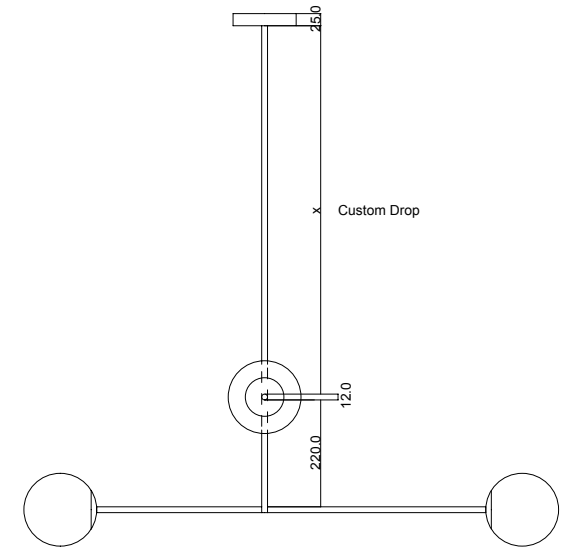
Top Cross Section



Front



Right



Right Cross Section

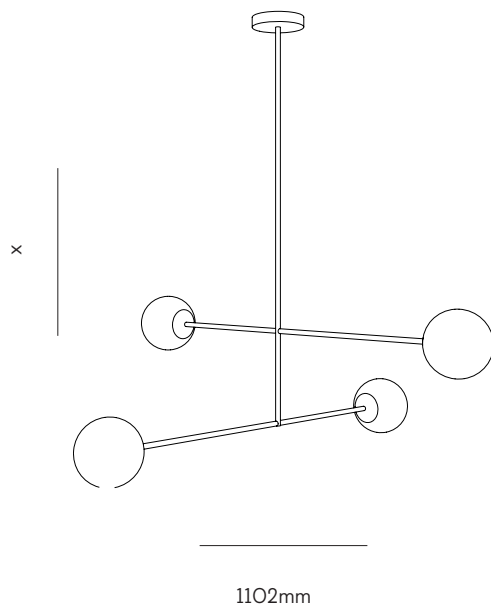
**DOUGLAS AND BEC**

Line Pendant 04 2.0  
All dimensions in mm  
Scale 1:10mm

Materials:  
Glass (Globes)  
Brass (Ceiling Rose / Rod / Disc)

Custom Drop:  
Please provide ceiling height and FFL to  
determine custom drop

NB: These dimensions subject only  
to pictured composition



LINE PENDANT O4 2.0

A pendant light with a delicately balanced form. Brass frame available in; Natural, Polished and Lacquered, Blackened Brass and Brushed Chrome. Glass globes available in; Midnight, Blush, White and Camel.

All Douglas and Bec products are hand made by local artisans and have the qualities of small scale production.

---

DESIGNERS  
Douglas Snelling & Rebecca Dowie

---

PRODUCT TYPE  
Pendant Light

---

MATERIALS  
Brass  
Glass

---

DIMENSIONS  
W 1102mm x L 1102mm x H Custom Drop  
Glass Globe Ø 150mm  
Ceiling Rose Ø 130mm

---

LAMP SPECIFICATIONS  
E27 LED / Candle / Clear / 3-4W / 330-350 Lumens  
/ Dimmable / Warranty: 2 years

#### CLEANING

##### Glass

- Use a soft cloth or feather duster to remove dust

##### Brass

- Natural brass will develop a patina over time
- Use a soft cloth or feather duster to remove dust
- No other cleaning products are recommended.

---

#### PRECAUTIONS

Keep out of direct heat and sunlight

---

#### INSTALLATION AND WIRING

- The Chandelier must be installed by a qualified electrician exclusively using the components provided
- Standard entry 3 core 240v
- Compatible with leading edge dimmers
- The ceiling rose cap conceals the wiring and is to be fixed to the ceiling with screws provided
- All components are compliant with New Zealand and Australian safety standards

---

#### WARRANTY AND TERMS

Refer to website, [shop.douglasandbec.com](http://shop.douglasandbec.com)