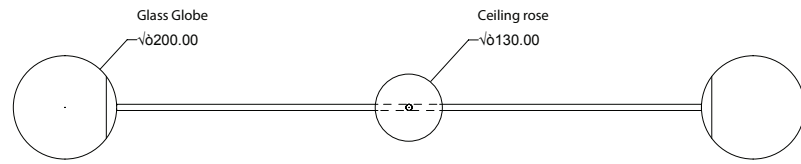
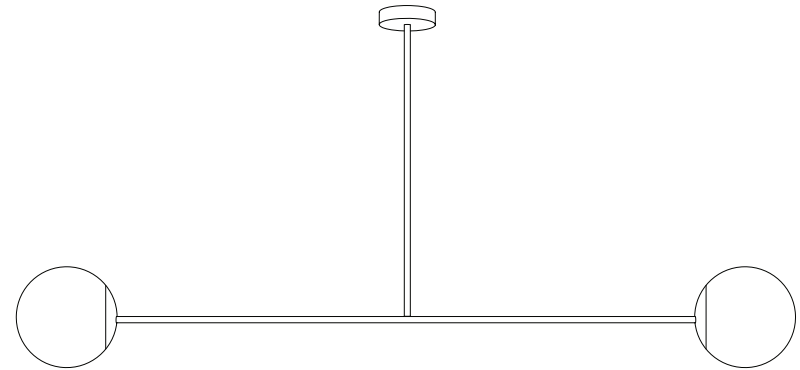


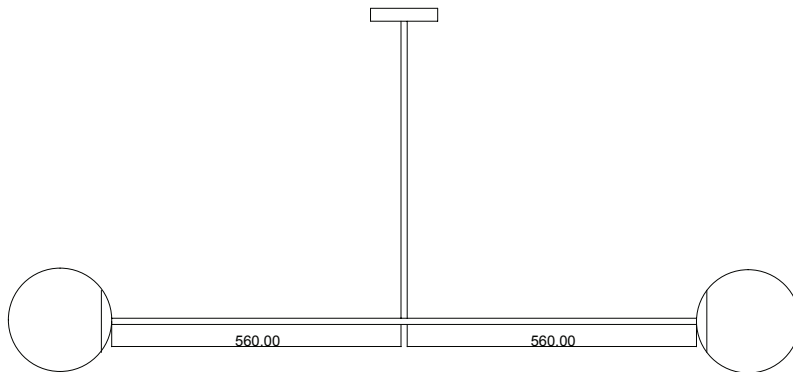
Top



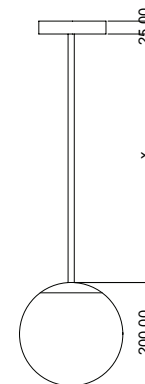
Top Cross Section



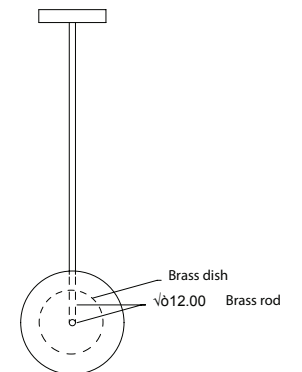
Perspective



Front



Right



Right Cross Section

DOUGLAS AND BEC

Line Pendant 02

All dimensions in mm

Scale 1:10mm

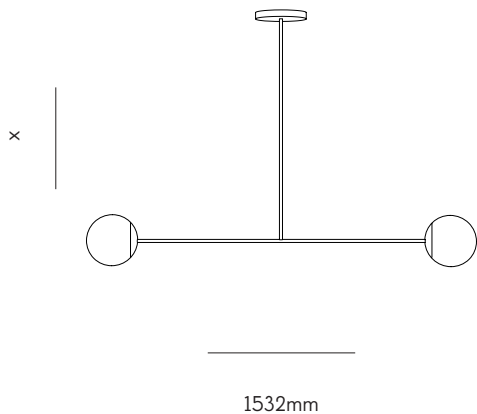
Materials:

Glass (Globes)

Brass (Ceiling Rose / Rod / Disc)

Custom Drop:

Please provide ceiling height and FFL to determine custom drop



LINE PENDANT 02

A pendant light with a delicately balanced form. Brass frame available in; Natural, Polished and Lacquered, Blackened Brass and Brushed Chrome. Glass globes available in; Midnight, Blush, White and Camel.

All Douglas and Bec products are hand made by local artisans and have the qualities of small scale production.

DESIGNERS
Douglas Snelling & Rebecca Dowie

PRODUCT TYPE
Pendant Light

MATERIALS
Brass
Glass

DIMENSIONS
W 1532mm x D 200mm x H Custom Dimensions
Glass Globe Ø 200mm
Ceiling Rose Ø 130mm

LAMP SPECIFICATIONS
E27 LED / Candle / Clear / 3-4W / 330-350 Lumens
/ Dimmable / Warranty: 2 years

CLEANING

Glass

- Use a soft cloth or feather duster to remove dust

Brass

- Natural brass will develop a patina over time
- Use a soft cloth or feather duster to remove dust
- No other cleaning products are recommended.

PRECAUTIONS

Keep out of direct heat and sunlight

INSTALLATION AND WIRING

- The Chandelier must be installed by a qualified electrician exclusively using the components provided
- Standard entry 3 core 240v
- Compatible with leading edge dimmers
- The ceiling rose cap conceals the wiring and is to be fixed to the ceiling with screws provided
- All components are compliant with New Zealand and Australian safety standards

WARRANTY AND TERMS

Refer to website, shop.douglasandbec.com