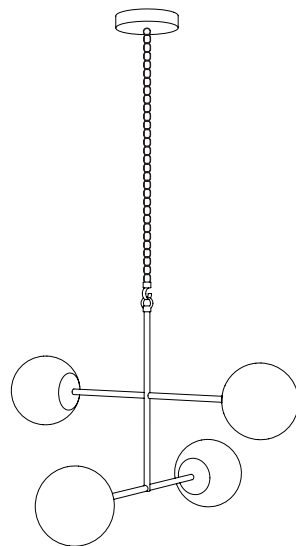
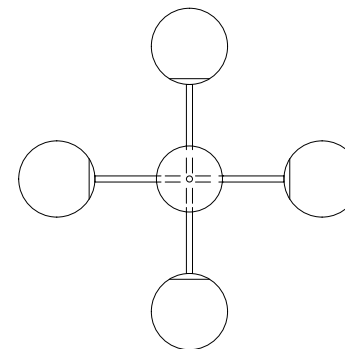


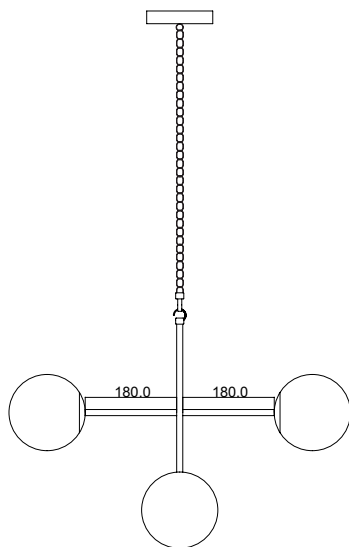
Top



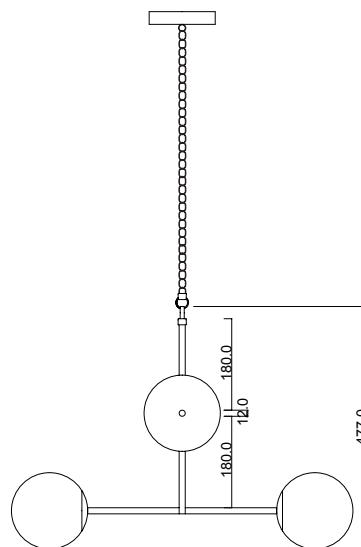
Perspective



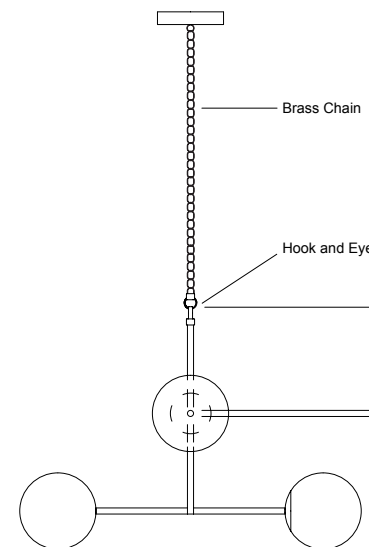
Top Cross Section



Front



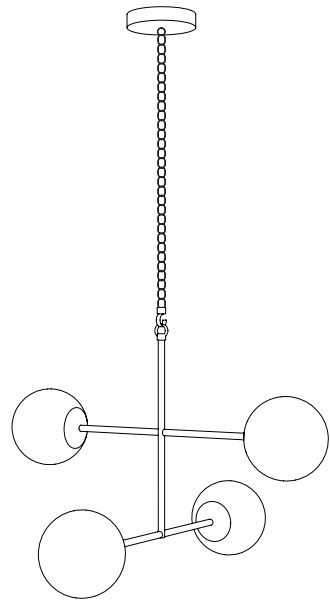
Right



Right Cross Section

180mm Brass Rod up until Hook and Eye  
- Chain extends after 180mm

x



672mm

COMPACT O4

A pendant light with a delicately balanced form. Pendant frame available in; Natural Brass, Polished and Lacquered Brass, Blackened Brass and Brushed Chrome. Glass globes available in; Midnight, Blush, White and Camel.

All Douglas and Bec products are hand made by local artisans and have the qualities of small scale production.

---

DESIGNERS  
Douglas Snelling & Rebecca Dowie

---

PRODUCT TYPE  
Pendant Light

---

MATERIALS  
Brass  
Glass

---

DIMENSIONS  
W 672mm x L 672mm x H Custom Drop  
Glass Globe Ø 150mm  
Ceiling Rose Ø 130mm

---

LAMP SPECIFICATIONS  
E27 LED / Candle / Clear / 3-4W / 330-350 Lumens  
/ Dimmable / Lamp Warranty: 2 years

#### CLEANING

##### Glass

- Use a soft cloth or feather duster to remove dust

##### Brass

- Natural brass will develop a patina over time
- Use a soft cloth or feather duster to remove dust
- No other cleaning products are recommended.

---

#### PRECAUTIONS

Keep out of direct heat and sunlight

---

#### INSTALLATION AND WIRING

- The Chandelier must be installed by a qualified electrician exclusively using the components provided
- Standard entry 3 core 240v
- Compatible with leading edge dimmers
- The ceiling rose cap conceals the wiring and is to be fixed to the ceiling with screws provided
- All components are compliant with New Zealand and Australian safety standards

---

#### WARRANTY AND TERMS

Refer to website, [shop.douglasandbec.com](http://shop.douglasandbec.com)